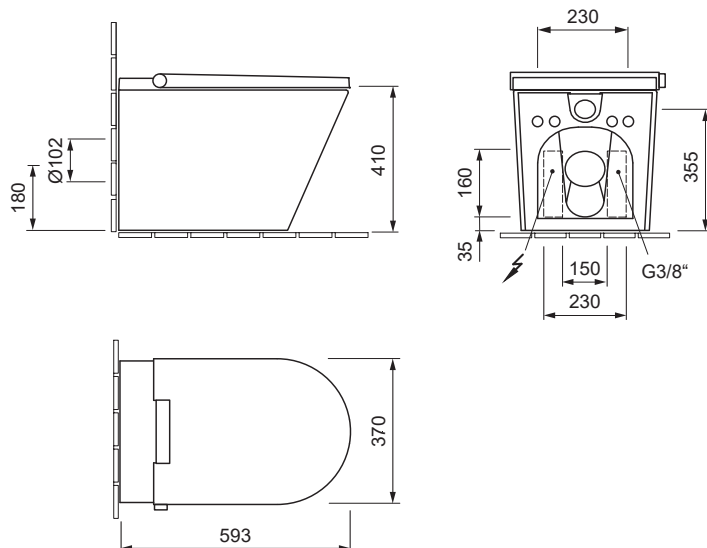


AXENT.ONE^{PLUS}

SHOWER TOILET, FLOOR-STANDING E80.0610.0001.9



reddot award 2015
winner



DESIGN PLUS
powered by ISH

PRODUCT DETAILS

Dimensions / Weight	370 x 593 x 452 mm / 44,0 kg
Adaptable water pressure	0.7 – 7.5 bar
Water volume, shower function	0.35 – 0.85 l / min
Power consumption / Voltage	1600 W / 230V - 50Hz

FEATURES

Rear wash	Oscillating and pulsating spray	Remote control
Lady wash	Warm air dryer	Programmable user profiles
Adjustable water temperature	Adjustable dryer temperature	Soft-closing seat and lid
Adjustable flowrate	Seat heating	Rimless toilet
Adjustable spray arm position	Adjustable seat heating temperature	Decalcification
Oscillating spray	Deodoriser	Easy-clean ceramic surface
Pulsating spray	Night light	

SPECIFICATION TEXT

AXENT.ONE^{Plus} Floor-standing shower toilet complete solution, design by Matteo Thun & Partner. Washdown toilet made of sanitary ware with concealed fixation. Rimless toilet for 6 and 3 l flushing according to EN997. Basic functions: Rear and Lady shower; adjustable spray arm, water volume and temperature; self-cleaning; decalcification. Comfort functions (with remote control): Warm air dryer, deodorizer, seat heating, massage functions, 5 user profiles. Certified by LGA Würzburg. Rectangular basin shape, front merging into a semicircle. Dimension (wxdxh) 370x593x452 mm. White. Order no. E80.0610.0001.9