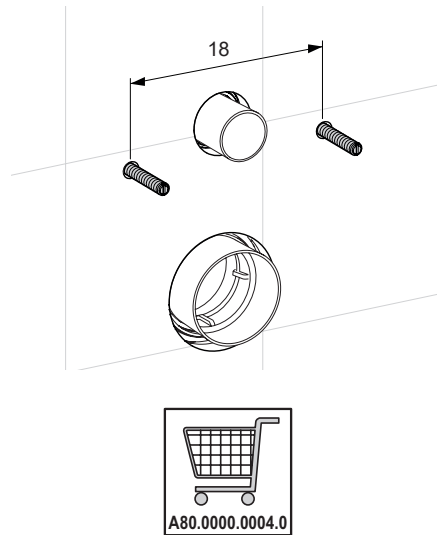
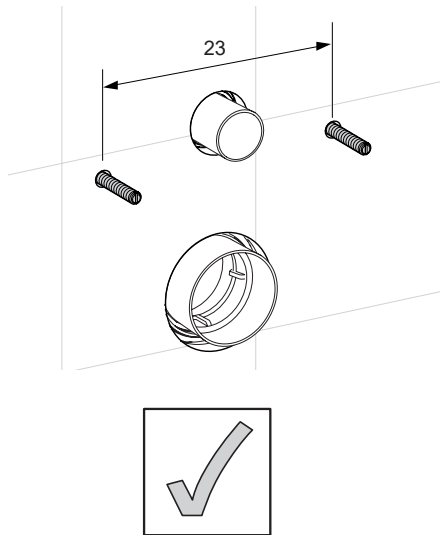


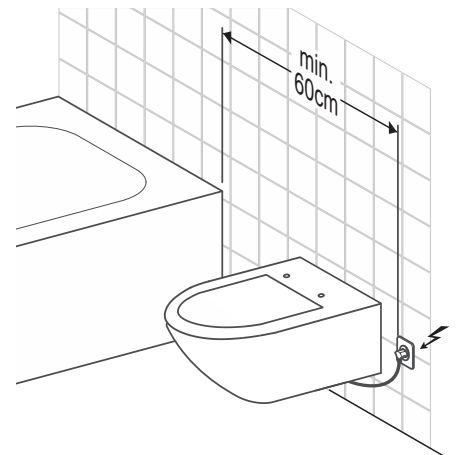
WATER AND POWER CONNECTION



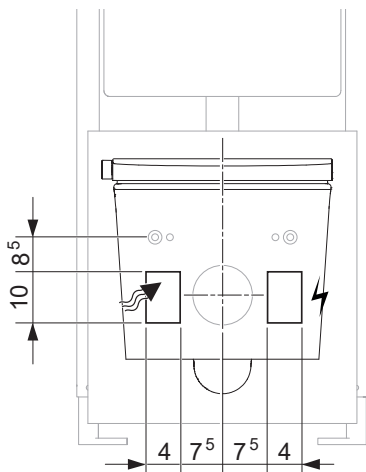
INSTRUCTION FOR INSTALLATION



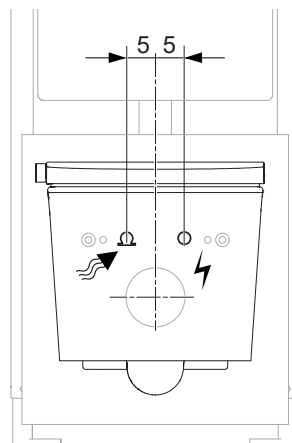
ELECTROTECHNICAL REQUIREMENTS



WATER AND POWER CONNECTION FOR AXENT.ONE SHOWER TOILET



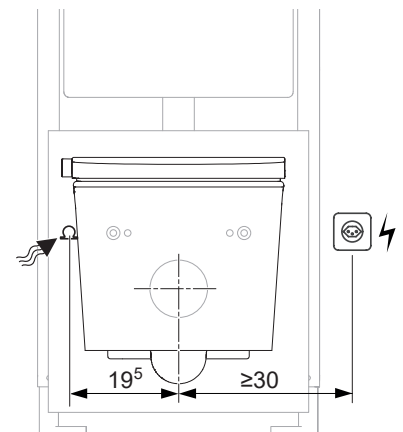
Water and power connection invisible with an installation system from various brands.



Water and power connection invisible with an installation system from Geberit.



Not in conjunction with a Geberit Duofresh element, as it can lead to some gurgle noise with activated odor extraction.



Water and power connection lateral visible with an installation system from Geberit.



Water



Power