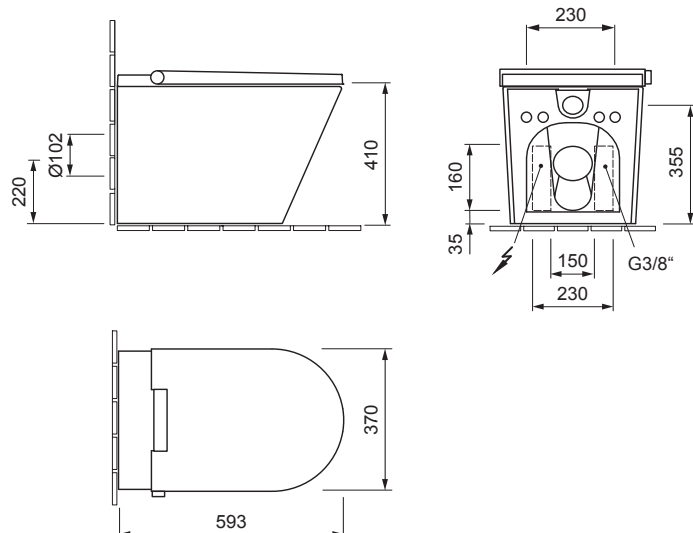


AXENT.ONE

SHOWER TOILET, FLOOR-STANDING E80.0600.0001.9



reddot award 2015
winner



DESIGN PLUS
powered by: ISH

PRODUCT DETAILS

| | |
|-------------------------------|------------------------|
| Dimensions / Weight | 593x370x452 mm / 34 kg |
| Adaptable water pressure | 0.7–7.5 bar |
| Water volume, shower function | 0.35 - 0.85 l / min |
| Power consumption / Voltage | 1600 W / 230V - 50Hz |

FEATURES

| | |
|-------------------------------|----------------------------|
| Rear wash | Night light |
| Lady wash | Soft-closing seat and lid |
| Adjustable water temperature | Rimless toilet |
| Adjustable flow rate | Decalcification |
| Adjustable spray arm position | Easy-clean ceramic surface |

SPECIFICATION TEXT

AXENT.ONE Floor-standing shower toilet complete solution, design by Matteo Thun & Partner. Washdown toilet made of sanitary ware with concealed fixation. Rimless toilet for 6 and 3 l flushing according to EN997. Basic functions: Rear and Lady shower; adjustable spray arm, water volume and temperature; self-cleaning; decalcification. Certified by LGA Würzburg. Rectangular basin shape, front merging into a semicircle. Dimension (wxdxh) 370x590x452 mm. White. Order no. E80.0600.0001.9